

PGL-III-A-447/5-500mW

VIOLET PORTABLE LASER AT 447 nm


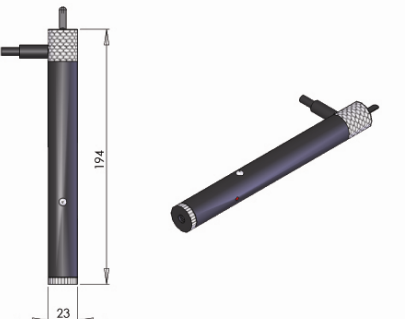

PGL-III-A-447 is made features of small size, high output power, long lifetime in portable laser, and special safety design to ensure security.



SPECIFICATIONS

Wavelength (nm)	447±5
Output power (mW)	>5, 10 , ... , 500
Transverse mode	Near TEM ₀₀
Beam divergence, full angle (mrad)	<1.5
Beam size at the aperture (mm)	~5
Switch	Push button
Surface color	Black
Power Consumption	DC 6V
Power supply	2×“ CR123A 3V” Lithium batteries
Expected lifetime (hours)	5000
Warranty	6 months
Remark	LED indicator, remote connector and key switch are available.



PGL-III-A-447	Dimensions	Accessory
 <p>Φ23×194 (L) mm³, 0.165 kg</p>		 <p>2×CR123A/3V lithium battery</p>