

PGL-H-473/1~50mW

HIGH POWER BLUE LASER MODULE AT 473nm

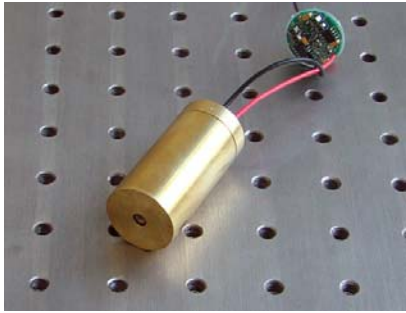
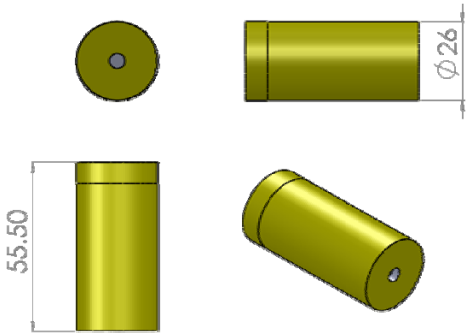

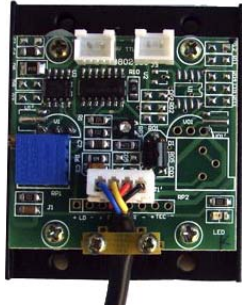
PGL-H high power blue laser module at 473nm is made features of small size, high output power, long lifetime, which made it widely used in collimation, laser medical treatment, scientific experiment, optical instrument and so on.



SPECIFICATIONS

Model	PGL-H-473	
Wavelength (nm)	473±1	
Output power (mW)	>1, 10, 15, ... , 50	
Transverse mode	TEM ₀₀	
Operating mode	CW	
Beam divergence, full angle (mrad)	<15	
Beam diameter at the aperture (mm)	~0.1	
Power stability (rms)	<10% , over 4 hours at constant temperature after warm up	
	<20% , over operating temperature range	
Warm-up time (minutes)	<10	
Operating temperature (°C)	15~30	
Power supply	3V PCB	5V PCB
TTL modulation	Optional, 1Hz-1KHz, 1KHz-10KHz, or higher on request	
Expected lifetime (hours)	5000	
Warranty	6 months	



PGL-H-473	Dimensions	3VPCB	5VPCB
 <p>Φ26×55.5(L) mm³, 0.3 kg</p>		 <p>Φ26×15(H) mm³</p>	 <p>56×47×30(H) mm³</p>